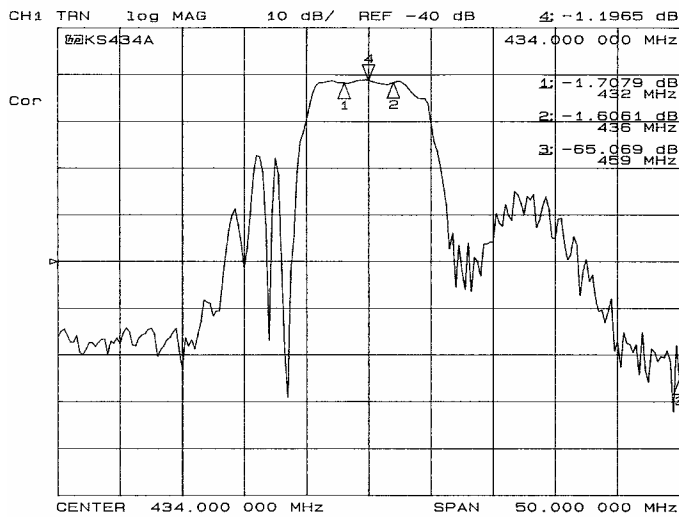
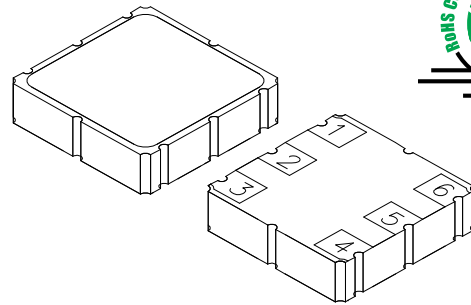


Model SF1008

Frequency Response



Terminal Connection



2, 5 : INPUT, OUTPUT
 1, 3, 4, 6, 7, 8 : GROUND

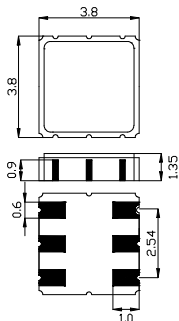
Maximum Ratings

Item	Unit	Condition	Rating
Maximum DC Voltage	V	-	10
Maximum Input Power	dBm	-	10
Operating Temperature Range	℃	-	-10 ~ +50
Storage Temperature Range	℃	-	-30 ~ +80

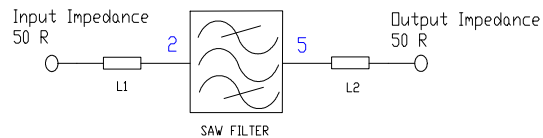
Electrical Specifications

Item	Unit	Condition	Min	Typ	Max
Center Frequency	MHz	F ₀	434		
Passband Width	MHz	-	F ₀ +/-2.0		
Insertion Loss	dB	Passband	-	2.8	4.5
Passband Ripple Deviation	dB	Passband	-	1.7	2.5
Stop Band Rejection	dB	F ₀ -100.0 ~ F ₀ -40.8 MHz	50	55	-
		F ₀ +40.0 ~ F ₀ +100.0 MHz	50	53	-
Terminating Impedance	Ω	-	150		

Package Dimension



Matching Configuration



L1 = L2 = T.B.D.

Source / Load Impedance = 50Ω

Ambient Temperature = 25℃

MtronPTI reserves the right to make changes to the product(s) and service(s) described herein without notice. No liability is assumed as a result of their use or application.

Please see www.mtronpti.com for our complete offering and detailed datasheets. Contact us for your application specific requirements: MtronPTI 1-800-762-8800.